

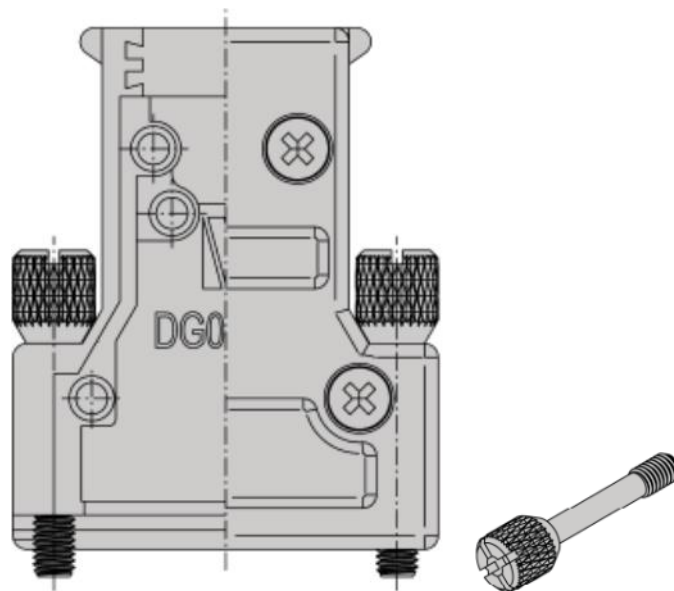


## Product Change Notification

Positronic will deem this change accepted unless specific conditions of acceptance are provided in writing within 30 days from the date of this notice.

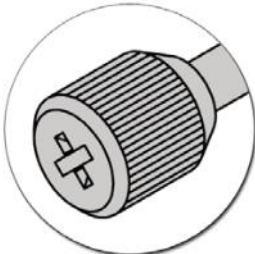
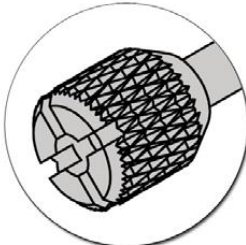
|                                |   |
|--------------------------------|---|
| <b>PCN Number</b>              | 10571   |
| <b>PCN Title</b>               | Hardware modification on selective “GE” type backshells for D-Subs  |
| <b>Notification Date</b>       | 2 November 2020   |
| <b>Implementation Date</b>     | Immediately   |
| <b>Part Description</b>        | *D****GE*, e.g. DD26S10GE0/AA   |
| <b>Affected Part Number(s)</b> | To view or download a list of affected parts, visit <a href="https://www.connectpositronic.com/pcn/hardware-modification-on-selective-ge-type-backshells-for-d-sub/">https://www.connectpositronic.com/pcn/hardware-modification-on-selective-ge-type-backshells-for-d-sub/</a> |

### Change Description



Jackscrew

Material change from nickel-plated steel to nickel-plated brass alloy and optimized head shape of the jackscrew

|  |  |     |                 |        |                 |      |               |
|--|--|-----|-----------------|--------|-----------------|------|---------------|
| <b>Reason for Change</b>               | <ul style="list-style-type: none"> <li>• Increased tensile strength</li> <li>• Improved corrosion resistance</li> <li>• Minimization of magnetic content</li> <li>• Long-term assurance of RoHS conformity</li> </ul>  |     |                 |        |                 |      |               |
| <b>Performance Impact</b>              | None   |     |                 |        |                 |      |               |
| <b>Qualification Data</b>              | N/A  |     |                 |        |                 |      |               |
| <b>Distinguishable Characteristics</b> | <p>Jackscrew head shape as shown below</p> <div style="display: flex; justify-content: center; align-items: center; gap: 20px;"> <div style="text-align: center;">  <p>Old Jackscrew Head</p> </div> <div style="text-align: center;">  <p>New Jackscrew Head</p> </div> </div> |     |                 |        |                 |      |               |
| <b>Divisional Headquarters</b>         | <table border="0"> <tr> <td>USA</td> <td>+1 800 641 4054</td> </tr> <tr> <td>Europe</td> <td>+33 5 6263 7442</td> </tr> <tr> <td>Asia</td> <td>+65 6842 1419</td> </tr> </table>   | USA | +1 800 641 4054 | Europe | +33 5 6263 7442 | Asia | +65 6842 1419 |
| USA                                    | +1 800 641 4054  |     |                 |        |                 |      |               |
| Europe                                 | +33 5 6263 7442  |     |                 |        |                 |      |               |
| Asia                                   | +65 6842 1419  |     |                 |        |                 |      |               |
| <b>PCN Correspondence</b>              | pcn@connectpositronic.com  |     |                 |        |                 |      |               |

\* The implementation date is the projected date that customers may begin to receive changed product. Based on the rate of inventory depletion of current product, the implementation date may be later, but not earlier, than the stated date. Although customers should be prepared to receive changed product on this date, Positronic may continue shipping current product until a time in which the inventory has been depleted. This would result in current product being shipped to customers after the stated implementation date.

Information provided herein is in connection with Positronic products and this information is provided "AS IS". Positronic assumes no responsibility for any errors that may appear in this document. No license, express or implied, by estoppel or otherwise, to any intellectual property rights is granted by this document. Except as provided in Positronic Terms and Conditions of Sale for such products, Positronic assumes no liability whatsoever, and Positronic disclaims any express or implied warranty, including liability or warranties relating to fitness for a particular purpose, merchantability, or non-infringement of any patent, copyright or other intellectual property right. Positronic may make changes to specifications and product descriptions at any time, without notice.